



1880
Hoftrac



Technical specifications

	1880 FSD	1880 cab
Engine data		
Manufacturer	Perkins	Perkins
Engine type	404D-22	404D-22
Cylinders	4	4
Engine performance (max.) kW (hp)	36.3 (50*)	36.3 (50*)
at rpm (max.) rpm	2,800	2,800
Cubic capacity cm ³	2,216	2,216
Cooling system	Water	Water
Engine data		
Electric motor		
Battery Standard		

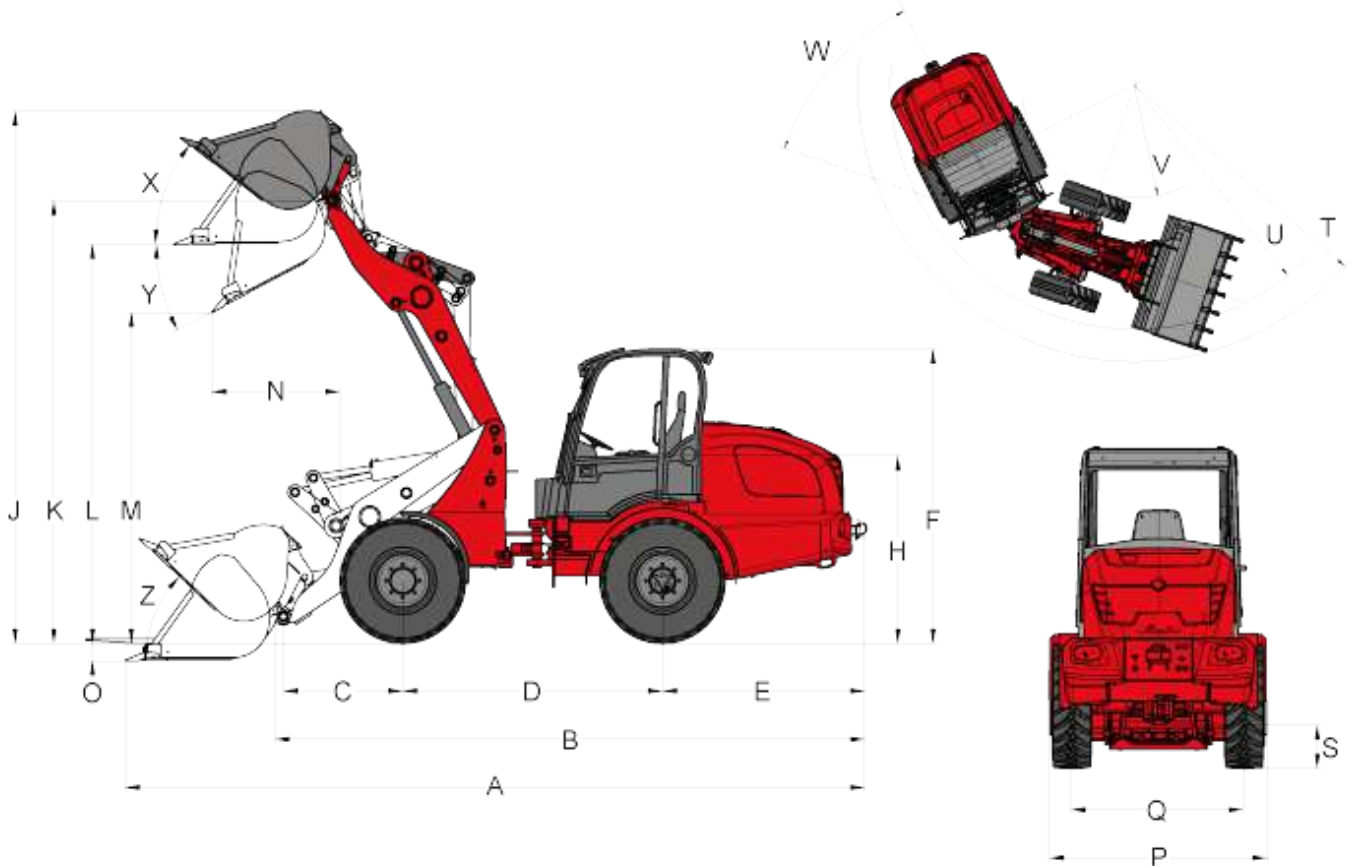


	1880 FSD	1880 cab
Battery Optional		
Electrical system		
Operating voltage V	12	12
Battery Ah	95	95
Alternator A	85	85
Weights		
Operating weight (standard) kg	3,400	3,400
Tipping load with bucket - machine straight kg	2,086	2,289
Tipping load with pallet fork - machine straight kg	1,731	1,907
Vehicle data		
Axle	PA 940	PA 940
Cab (optional)	FSD (cab)	Cab
Ground speed (optional) km/h	0 - 20 (28*)	0 - 20 (28*)
Speed stages	2	2
Fuel tank capacity l	65	65
Hydraulic oil tank capacity l	35	35
Hydraulic system		
External services - Operating pressure bar	450	450
Steering hydraulics - Oil flow (optional) l/min	56 (63-100)	56 (63-100)
Steering hydraulics - Operating pressure bar	210	210
Drive		
Type of drive	Hydrostatic	Hydrostatic
Traction drive	Universal joint shaft	Universal joint shaft



1880
Hoftrac

Dimensions



Standard tyres 10.0 / 75 - 15AS ET-5

A	Total length	4,715 mm	4,715 mm
B	Total length (without bucket)	4,022 mm	4,022 mm
C	Axle middle to bucket pivot pin	675 mm	675 mm
D	Wheelbase	1,952 mm	1,952 mm
E	Rear overhang	1,290 mm	1,290 mm
F	Height to top of overhead guard fixed	2,336 mm	
F	Height to top of cabin		2,346 mm
H	Seat top height	1,349 mm	1,349 mm



J	Total working height	3,675 mm	3,943 mm
K	Height of bucket pivot (max.)	3,203 mm	3,203 mm
L	Load-over height	2,861 mm	2,885 mm
M	Dumping height	2,454 mm	2,433 mm
N	Operating distance for M	198 mm	257 mm
O	Digging depth	104 mm	41 mm
P	Total width	1,214 mm	1,214 mm
Q	Track width	950 mm	950 mm
S	Ground clearance	270 mm	248 mm
T	Maximum radius external	3,447 mm	3,434 mm
U	Radius at the outer edge	3,171 mm	3,171 mm
V	Inside turning radius	1,831 mm	1,831 mm
W	Inclination angle	45 °	45 °
X	Rollback angle at max. lifting height	52 °	50 °
Y	Dumping angle (max.)	41 °	48 °
Z	Rollback angle (on the ground)	42 °	39 °

**1880**

Hoftrac

Standard features

Motor

- Perkins 404 D-22 (36.3 kW / 50 hp)

Drive system

- PA940 planetary axle
- Hydrostatic all-wheel drive, travel direction can be selected via joystick
- Service brake: Hydrostatic drive system acting on all 4 wheels (wear-free)
- Central service and parking brake in the drive train acting on all 4 wheels
- 100% differential lock, electric-hydraulically connectable on front and rear axle
- Tires 10.0 / 75 - 15.3 AS ET-5

Steering system

- Hydraulic articulated pendulum steering, 12° oscillating angle

Hydraulics

- 3rd control circuit in front electrically proportional in parallel via joystick
- Hydraulic oil cooler
- Floating position for lift cylinder

Driver's Cabin

- Operator's canopy with retaining system roll-over protective structure / FOPS-tested, including rear window, laterally tiltable driver's cabin
- Comfort seat with safety belt, fully suspended, weight, back and horizontal adjustment
- Joystick with direction control switch and integrated touch button for differential lock
- Adjustable steering column

Other

- Working lights (2 front, 2 rear)
- Operating hour meter
- Battery circuit breaker
- Fuel display
- Hydraulic quick-change system for attachments
- Toolbox in the vehicle rear
- Bucket status display
- Self-recovery coupling

**1880**

Hoftrac

Options

Motor

- Perkins 404F-22T (44.7 kW / 60 hp)
- Engine pre-heater + hydraulic oil pre-heater 230 V

Drive system

- Hand inching (creep speed controller)
- Speed increase to 28 km/h
- Load arm dampening

Driver's Cabin

- Roof lining for operator's canopy
- Front window complete with wiper
- 2-door cabin, including heating and ventilation
- Air-cushioned comfort seat (artificial leather / fabric)
- Heated seat
- Air-conditioning system
- Cabin plug receptacle 230 V

Lighting

- Lighting according to Road Traffic Regulations
- MEGA working lights (2 front, 2 rear)
- LED working lights (2 front, 2 rear)
- Rotating beacon

Hydraulics

- Unpressurised reverse travel (front / rear)
- 3rd control circuit, electrically, proportionally, serial
- 4th additional control circuit electrically proportional in parallel
- Work hydraulics of large pump (63 l/min)
- Work hydraulics of large pump (70 l/min)
- High flow single-acting performance hydraulics (100 l/min)
- Additional hydraulic oil cooler
- Dual-acting hydraulic connection in rear (30 l/min) proportional (two couplings) via reversing valve
- Dual-acting hydraulic connection in rear (30 l/min) (two couplings), including separate steering valve
- 2x hydraulic connection in rear (30 l/min) dual acting (four couplings), including separate steering valve

Electrical connections

- Front plug receptacle, 7-pole for lighting front attachments
- Front plug receptacle, 3-pole (dual function)
- Plug receptacle for rear attachments, 7-pin
- Triple-pole rear plug receptacle

Other

- Radio
- Reversing warning system



- Load-lowering valve
- Combination case with warning triangle and first-aid kit
- Tool kit
- Fire extinguisher 2kg
- Technical Inspection Authority expert's report
- Automatic trailer coupling
- Approval as self-propelled work machine with AHK*
- Official approval for road use
- Registration plate mounting
- Fully automatic central lubrication unit
- Custommade paint finish
- Hand lever grease gun

* Trailer coupling

Please note

that product availability can vary from country to country. It is possible that information / products may not be available in your country. Photos may depict options. Subject to change without notice. Errors and omissions are reserved. The contractual agreement is expressly decisive. More detailed information on engine power can be found in the operator's manual; the stated power may vary due to specific operating conditions. Subject to alterations and errors excepted. Applicable also to illustrations.
Copyright © 2017 Weidemann GmbH.